

access

LIGHTING

INSTALLATION INSTRUCTIONS

IMPORTANT

Before assembling your access lighting fixture, please make sure that you carefully read through these instruction sheets. Consider having your fixture installed by a qualified licensed electrician.

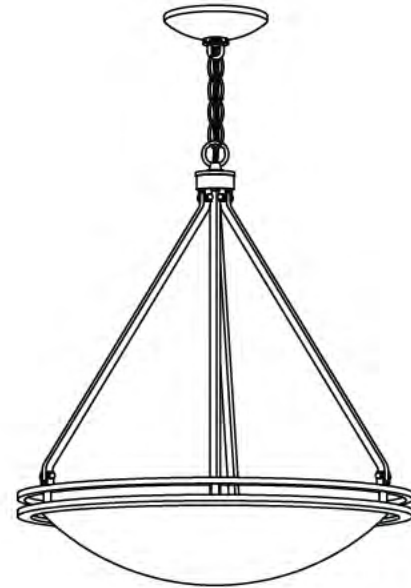
NOTE: The important safeguards and instructions that appear in this manual are not meant to cover all possible conditions and situations that may occur. It must be understood that common sense, caution and care, are factors that can't be built into any product. These factors must be supplied by the person(s) caring for and operating the fixture.

GENERAL INFORMATION

All electrical connections must be in accordance with all ordinances, Local and National Electrical Codes. These fixtures are intended for mounting to a standard 4" x 2 1/2" metal octagon outlet box. The box must be directly supported by the building structure and U.L. Recognized.

STEP BY STEP INSTRUCTIONS

Before starting your installation disconnect the Power by turning off the Circuit Breaker or by removing the fuse at the fuse box. Just turning the light off at the light switch is not sufficient to prevent electrical shock.



COLLECTION

APPLICATION
Ceiling Fixture

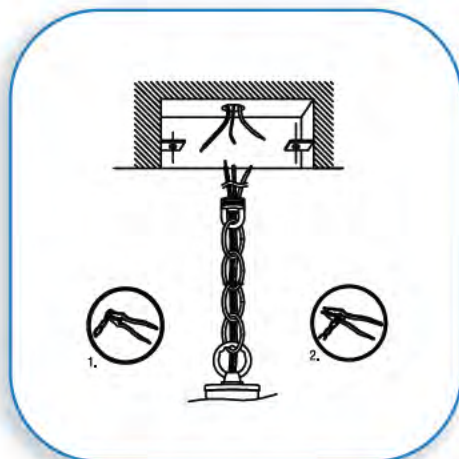
MODEL NO.
20462

WHAT WE PROVIDE

- Crossbar
- Mounting Hardware
- Fixture
- 1 x Glass Shade

WHAT YOU NEED

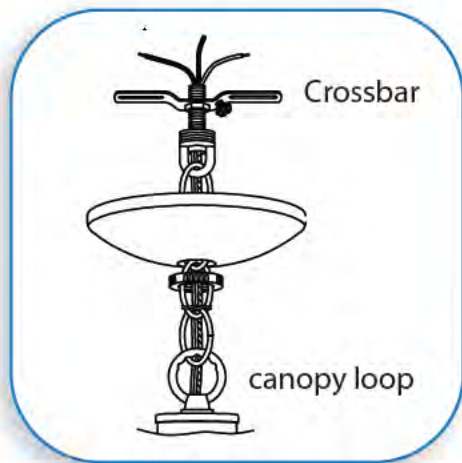
- Screwdriver
- Wire Cutters
- Wiring Supplies as Specified by Electrical Code
- 5 x 13w GU24



PREPARE THE FIXTURE

1

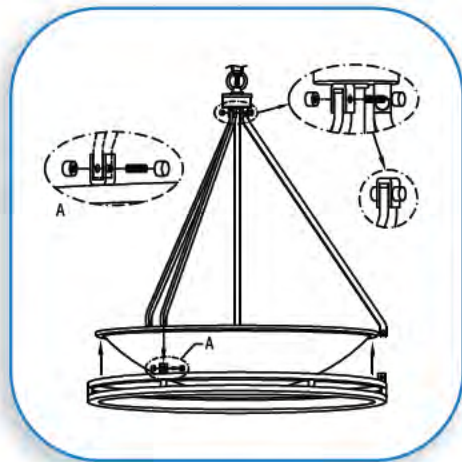
If there is an existing fixture remove it. Expose the supply wires from the j-box. Lay the fixture on a soft surface, remove all the packaging material. Determine the desired length of your fixture. Remove the undesired chain links with a chain pliers. If there is too much wire cut the wire leaving at least 1 1/2" to make the necessary connections.



2

PREPARE THE FIXTURE (2)

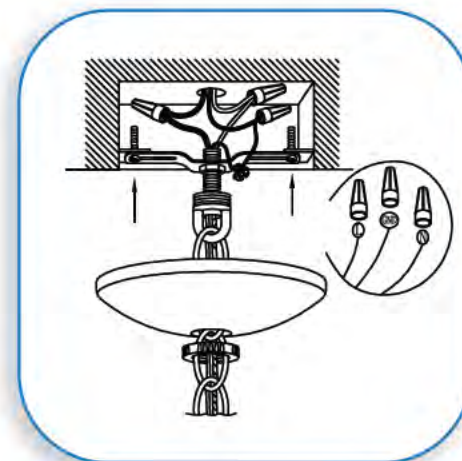
Thread the supplied nipple into the canopy loop and adjust the length. Insert the top of the nipple through the hole in the canopy. Thread the hex nut onto the nipple and then the supplied crossbar. Adjust the hex nut so that the crossbar can't be moved. Weave the fixture and ground wires through the chain links, the canopy loop and the central hole of the nipple.



3

SECURE GLASS SHADE AND METAL RING

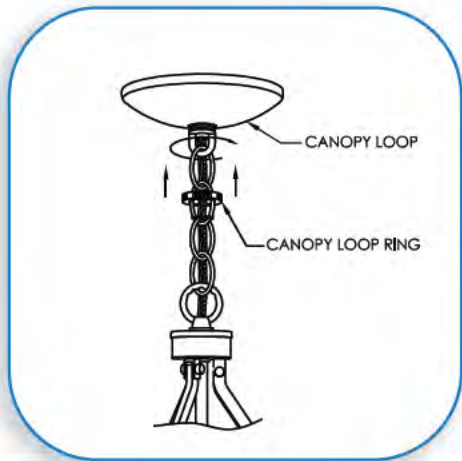
Insert the glass shade into the metal ring. Align the holes in the sides of each arm with the holes located on either side of the U-shaped metal clips located on the top of the ring, by inserting the arms into the clips. Secure the arms by inserting the supplied screws through the clip and securing with the supplied finials on either end of the screws.



4

CROSS BAR AND WIRE CONNECTIONS

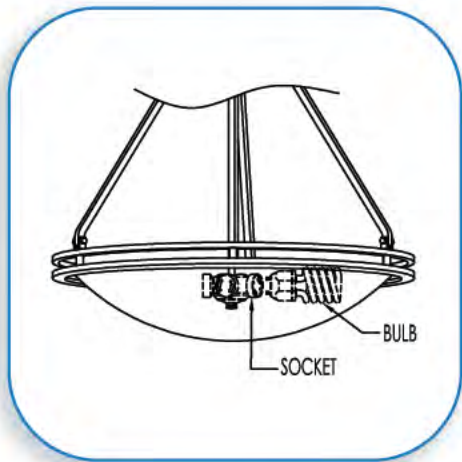
Secure the crossbar to the J-Box with the supplied screws. Gently pull the supply wires down. Connect the black supply wire to the black fixture wire. Secure with the supplied wire nuts. Connect the white supply wires to the white fixture wire. Secure with the supplied wire nuts. Either wrap the green wire around one of the protruding screw or connect it to the supply ground wire. Secure all wire with U.I Certified electrical tape (not supplied). Tuck all wires carefully into the J-box.



5

SECURE CANOPY LOOP RING

Secure the canopy loop ring onto the canopy loop such that the canopy is held flush to the ceiling.



6

INSERT THE BULBS

Insert the bulbs into the socket(s).

DO NOT EXCEED THE RECOMMENDED WATTAGE ON THE LABEL.



7

RESTORE THE ELECTRICITY AND CHECK THE OPERATION OF YOUR NEW ACCESS FIXTURE

CAUTION

Please ensure that the fitting is cool and switched off before replacing the bulb. DO NOT use bulbs that might exceed the maximum wattage, stated on caution label.